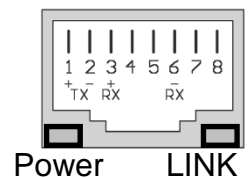


Poseidon2 3468 – Specifications



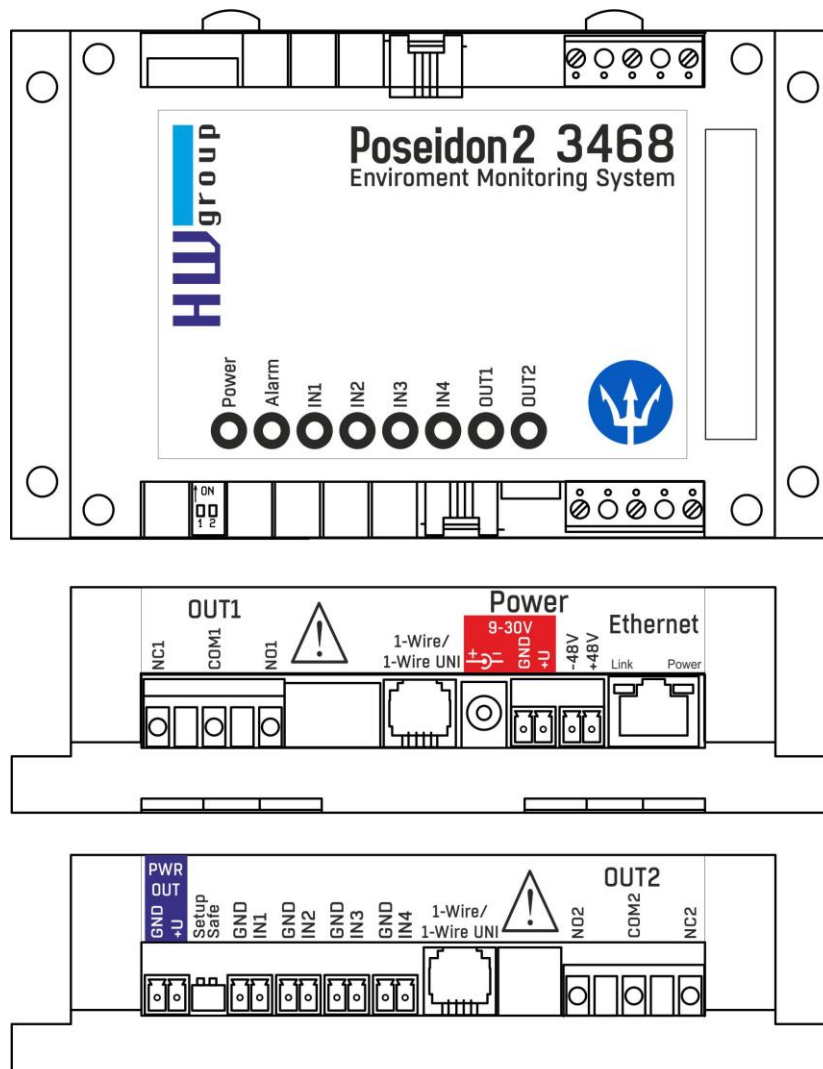
Connectors and LEDs

- Power** – green (RJ-45 connector)..... Ethernet enabled
- Power** – green External power connected
- LINK** – yellow (RJ-45 connector)..... Ethernet interface activity
- Inputs** – green Active input detected
- Outputs** – yellow Output set active
- Setup&Alarm** – red Sensor or input in alarm state
flashing during the setup

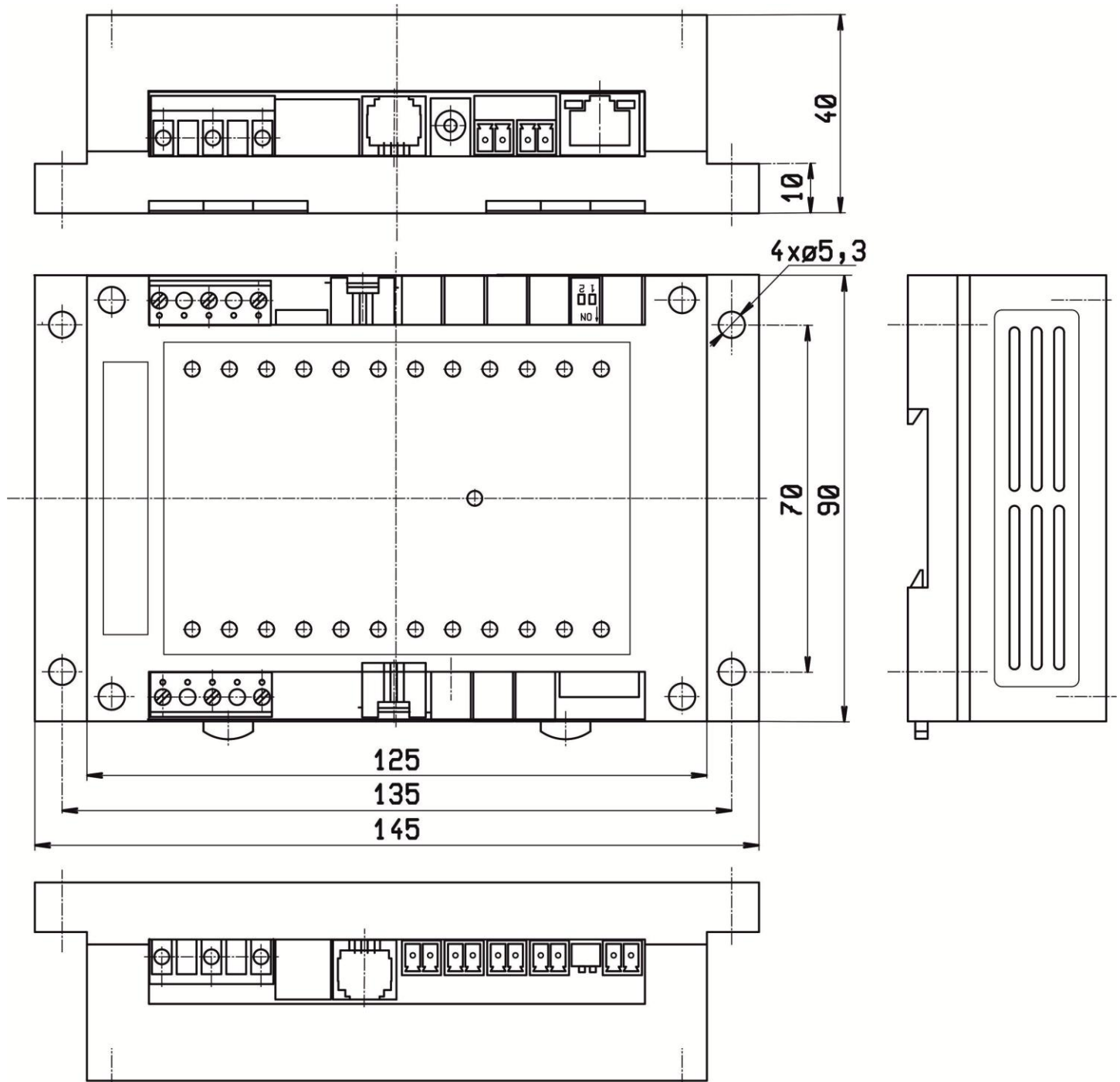


Parameters

- **Ethernet:** RJ45 – 100BASE-Tx/100 Mbps
- **Communication:** WEB, SNMP, XML, SMTP, netGSM, Modbus/TCP, HWg-PUSH
- **2 sensor inputs:** RJ11 ports for connecting HW group 1-Wire probes (including 1-Wire UNI)
 - **Up to 8 connected sensors in total** (using T-Box splitter or daisy-chained sensors)
- **4 digital inputs:** Dry contact inputs (voltage-free)
- **2 relay outputs:** Low voltage relay outputs NO/NC
- **Configuration DIP switches**
 - DIP1: Restores factory defaults when 3x toggled within 5 seconds after power up
 - DIP2: Prevents configuration changes - lock
- **Device features**
 - **Alarm** when a preset threshold is exceeded
 - **Remote monitoring** of input states and temperature/humidity sensors
 - **Logging of values:** Internal flash memory, can store 250 000+ values
- **Power supply:** +9-30V /+48V / 250 mA
- **Dimensions:** 145 x 90 x 40 [mm] (H x W x D) / 225 g
- **LED indicators:** Power, LINK, STATUS, ALARM, INPUTS, OUTPUTS



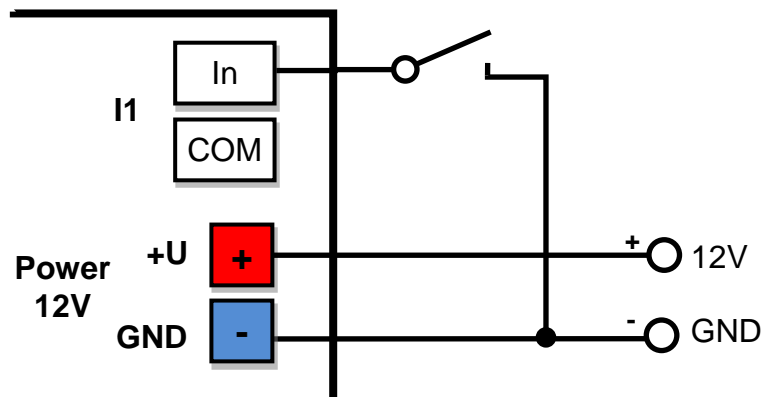
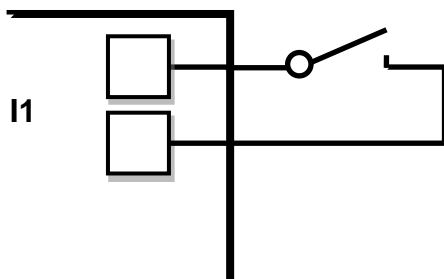
ETHERNET	
Interface	RJ45 (100BASE-Tx) – 10/100 Mbps network compatible
Supported protocols	IP: ARP, TCP/IP (HTTP, NTP, SMTP, netGSM, HWg-PUSH), UDP/IP (SNMP)
SNMP compatibility	Ver.1.00 compatible, partial ver.2.0 implementation
SENSORS	
Type	HWg original accessories: 1-Wire & 1-Wire Uni
Connector	RJ11 (1-Wire Bus) 2x
Sensors	Up to 8 sensors in total (temperature + humidity combo sensors count as 2 sensors)
Sensor distance	Up to 60m
DRY CONTACT INPUTS	
Port	I1, I2, I3, I4
Type	Digital Input (supports NO/NC Dry contact)
Sensitivity	1 (On) = 0-500 Ω (Right pin on the terminal block can be connected to 12V GND)
Max. distance	Up to 50m
OUTPUTS	
Port / type	OUT1, OUT2 / Relay contacts (NC-COM-NO)
Max. load	max. 24V / 16A DC; max. 250V / 16A AC
State	Power up state (no state restart memory)
POWER input	
Port	POWER 9-30V/48V DC – 2,5W
Type	Main device power input (typically 150 mA)
Connector	Jack 9-30V DC (barrel, inner 2.5 mm outer 6.3 mm), Terminal Block 9-30V DC Terminal Block 48V DC
LED Status indicators	
POWER (RJ45 + top)	Green - power OK (top), Ethernet enabled (RJ45)
LINK & Activity (RJ45)	Yellow - Ethernet connectivity
Setup / Alarm	Red
Input	Green
Output	Yellow
DIP SWITCH	
DIP1: Setup	ON = RS-232 Setup mode over serial port (RS-232 mode only) Load defaults: Set ON, power-up device, toggle 3 times during first 5 seconds to load defaults
DIP2: Security	ON = Security mode - remote configuration disabled OFF = Non-secure mode - remote configuration enabled
Physical parameters	
Temperature range	Operating: -30 to +75 °C / Storage: -35 to +85 °C
Dimensions / Weight	145 x 90 x 45 [mm] / 225 g
EMC	FCC Part 15, Class B, CE - EN 55022, EN 55024, EN 61000



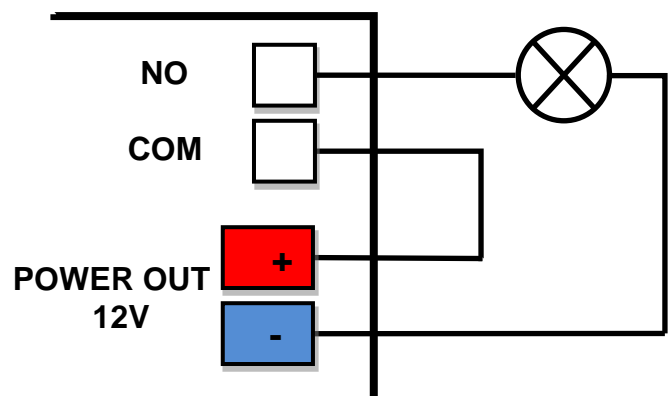
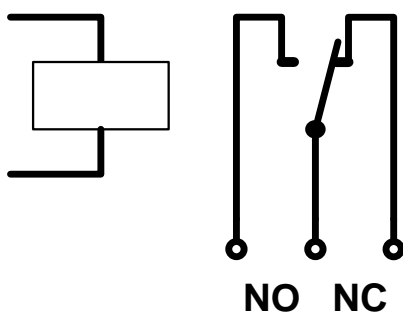
Dry contact inputs

Digital input terminals may be connected to voltage-free contacts or the GND pin. The inputs are electrically connected to the 12V power supply. Never connect the inputs to the 48V supply voltage!

- Unconnected inputs read as “**0 (Off)**”
- Active inputs read as “**1 (On)**”
- **Supported sensors:** Any contact without external voltage (dry contact)
- **Polling period:** 800 ms
- **Range of sensor IDs:** Inputs use IDs from 1 to 4



Relay outputs



- NO and NC labels apply to Off (0) state, or device turned off
- When the output is On (1), a “**Normally Open**” (**NO**) relay contact is closed
- **Indication:** Contact state (closed / open) is indicated by a LED
- **Isolation:** The double-throw contact is electrically isolated from the rest of the device
- **ID range:** Outputs use ID addresses from 151 to 180